

MAISON VALENTINA®
LUXURY BATHROOMS

LUXURY
BATHROOM
INTERIORS

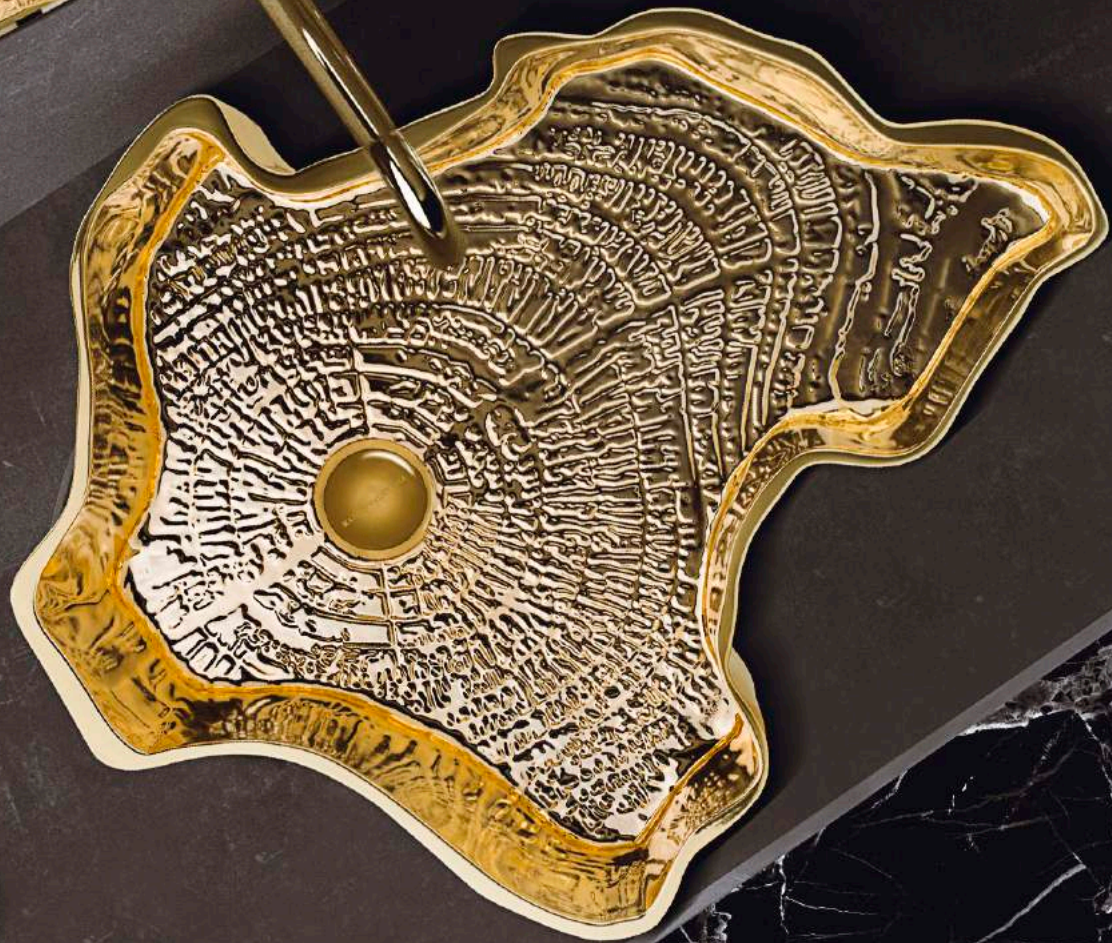
A TAILORED "ME TIME" IS A WAY OF SELF CARE





LUXURY BATHROOMS





MAISON VALENTI

MAISON VALENTI

A TAILORED “ME
TIME” IS A WAY OF
SELF CARE.
OUR MISSION IS TO
MAKE IT REAL.

CONTENTS

01 ABOUT MAISON VALENTINA

02 PROJECTS

03 INSPIRATIONS



LUXURY BATHROOMS

Maison Valentina believes that good design is a journey that should be tailored to the individual and the bathroom to be the vital platform for personalisation of the home.

Your bathroom should be crafted to blur the line between comfort and design, creating a truly immersive experience and moments of quiet indulgence and private retreat.

Maison Valentina is a bathroom furniture brand that combines functionality with unique design products. Every piece of Maison Valentina's bathware is handcrafted using top quality materials and enriched with the finest details.

We strive to create a true sensory experience, allowing a moment of real introspection and contemplation for our customers.

Our collections offer a wide selection of basins and vanities, as well as a range of accessories to dress the perfect bathroom.

With just one brand, you will get a complete selection of products to create a unique project.

One inspiration, multiple options. You choose.



Diamond Bathtub, Bourgeois II Floor Mounted Mixer Tap; Pharo Chandelier by Luxxo and Cell Rug By Rug'Society.



Darian Bathtub; Armour Stool by Luxxu.



Darian Freestanding, Shield Oval Mirror, Darian Towel Rack, Majestic Chandelier by Luxxu and Darian Center Table by Luxxu.

Bathrooms are the space of the house that is common to everyone, but they also represent the room dedicated to self-care and moments of relaxation, the bath space must also provide a sensorial experience without losing its functionality. This incredible bathroom design is a dark biophilic wonder that manages to create a space that is inviting, glamorous, and filled with wonderful

touches that firmly cement it in a modern style area and award it a uniqueness unlike any other space in the design world. To help this bathroom feel even more luxurious, the Shield Oval Mirror, Darian Towel Rack and the Darian Freestanding combine forces and impose their beauty into your perception of space, perfectly managing to generate a mesmerizing oasis of tender peacefulness.



Darian Bathtub, Armour Stool by Luxxu, Majestic Chandelier by Luxxu, Darian Center Table by Luxxu and Burj Wall Lamp by Luxxu.





Darian Bathtub; Armour Stool by Luxxu.



1. RING Mirror by Boca do Lobo 2. GALLIANO Wall Lamp by DelightFull 3. NEWTON Washbasin by Maison Valentina 4. NEWTON Bathtub by Maison Valentina



Diamond Bathtub, Symphony Freestanding, Black Ink Rug by Rug'Society and Marcus Pendant Light by DelightFULL.



Diamond Bathtub, Symphony Freestanding, Eden Towel Rack, Diamond Big Mirror by Essential Home, Black Ink Rug by Rug'Society, and Marcus Pendant Light by DelightFULL.

A Contemporary bathroom such as these is defined by subtlety, uniqueness, and by borrowing from other movements that are relevant the time they are applied. It usually focuses on color, space, and shape, and is sleek and fresh. Bringing modern products into a contemporary setting makes these two designs complement each other but it also creates a perfect harmonized space. For a balanced and aesthetic space, Modern Contemporary Interiors is the go-to. Shiny metal, polished wood, and cool

tile are the textures you will most often find in contemporary spaces such as the ones depicted here. Floors are most often wood or tile, although rugs are also used to add warmth and color to a room, becoming a focal point. The use of marble is also a safe choice for contemporary interiors once it never gets old or boring and, when combined with the incredible Diamond collection, it can truly create a magnificent luxurious bathroom.



Symphony Freestanding; Lumiere Round II By Boca do Lobo.

Modern design elements form the luxurious basis of many contemporary homes and are also the basis for the design present here, awarding great majestic elegance to the bathroom depicted in the pictures. Dark interiors are incredible, they not only look sophisticated but also distance themselves from the outside world, creating a sense of retreat and hideaway, perfect to relax. The contrast between the gold Symphony Freestanding and the black marble walls makes this bathroom look remarkable. In Modern Contemporary Styles like this, simplicity, subtle sophistication, deliberate use of texture, and clean lines are the key guidelines to make the most of a room that tends to show space rather than things. To open rooms and make them look bigger, mirrors are powerful designs that can both change the environment at the same time that they add a feel of welcoming and so, it is an important step to choose where to displace them.



Symphony Freestanding; Lumiere Round II By Boca do Lobo.



Darian Washbasin, Darian Towel Rack; Orbis Rectangular Mirror by Luxxu, Draycott Pendant Lamp by Luxxu, and Liberty Small Pendant by Luxxu.



Darian Bathtub, Pulse Floor Mounted Mixer Tap With Hand Shower; Waterfall Wall Lamp by Luxxu and Darian Side Table by Luxxu.

This Modern Classic bathroom has its classic architectural details highlighted by the accent furniture with modern lines and the rich classic color palette. The Darian Bathtub is a unique item that awards a stunning and refined style to this incredible oasis. When contrasted with the green tones of the vertical garden, it works as the flash of color needed to create an attractive yet functional focal point like the

white bathtub. A fresh, classic, and contemporary interior with a twist of nature: this is an inspiring design moment that creates a bright glow to a bathroom that is designed to be a perfect sanctuary. The combination of Modern and Classic styles with minimalism mixed with the color contrast turns out to be the perfect harmonization of the space.



Newton Washbasin; Ring Mirror by Boca do Lobo and Galliano Wall Lamp by DelightFULL.



NEWTON **WASHBASIN**

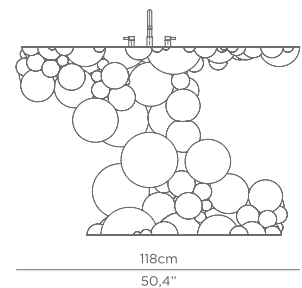
W 125 cm | 49,21" H 85 cm | 33,46" D 51 cm | 20,08"



Newton is a revolutionary statement piece created to fulfill the needs of those who are looking for the best in contemporary furniture design mixed with exquisite details and high-quality materials. One by one, each element is joint to produce an out- standing pattern and organic structure, finished in a dramatic black lacquer and gold-plated accents.



83 cm
32,67"



118cm
50,4"



Newton Washbasin, Newton Bathtub, Origin Floor Mounted Mixer Tap With Hand Shower; Ring Mirror by Boca do Lobo, Galliano Wall Lamp by DelightFULL.





Diamond Freestanding, Elegance Three Hole Mixer Tap; Ring Rectangular Mirror by Boca do Lobo and Pharo Wall Lamp By Luxxu.

The marble combined with black, gold and grey details immediately transforms a bathroom into an authentic and luxurious oasis where the elegant furniture emphasizes the charisma of the room. White, black, grey and gold are the most used tones in Classic Interiors that frequently use these neutral paint colors on the walls to enhance the room's furniture. The Classic Style is perfect for those who love symmetry, classic art pieces, antiques, and other design elements rich with history and this bathroom is filled with an imaginative classical style. These highly decorative bathrooms with classic accents also perfectly mix some modern design elements to create harmony in the room and establish a luxurious mood. The Modern Classic style epitomizes many of the best qualities of contemporary interior design, combining simplicity with traditional features to create clean and striking spaces that are timeless to our memory. However, one thing needs to be assured: that it provides a serene and restful space for every relaxation time to be appreciated.



Lapiaz Bathtub, Victorian With Hand Shower Tap; Majestic Chandelier by Luxxu.



Lapiaz Bathtub, Lapiaz Freestanding, Venice Mirror, Victorian With Hand Shower Tap; Majestic Chandelier by Luxxu and Waterfall Wall Lamp by Luxxu.





Diamond Bathtub and Pharo II Chandelier by Luxxu.



1. PHARO II Suspension Lamp by LUXXU XL 2. DIAMOND Bathtub by Maison Valentina 3. 5TH Side table by Boca do Lobo 4. RING Rectangular Mirror by Boca do Lobo



Eden Stone Freestanding, Shield Oval Mirror, Symphony Bathtub; Stonehenge Side Table by Boca do Lobo.



Eden Freestanding, Symphony Bathtub, Shield Oval Mirror and Diamond Towel Rack.

This modern classic interior design project boasts incredible elegance and majestic energy, drawing inspiration from classic designs like Victorian, Art Deco, Greek and Roman styles and combining them into a perfect symbiote. When the classic design elements are mixed with modern details, the result is an elegant and sophisticated Modern Classic decor. In this approach, the usage of marble walls

creates the perfect background for these artful Eden Stone Freestanding that perfectly fit with the astonishingly golden symphony bathtub, bringing in an interesting modern edge. Natural materials, like wood and stone, can also be the bridge between the Modern and the Classic, but stone and brass make this ambiance much more glamorous.



Diamond Bathtub, Colosseum Mirror; Botti 150 Suspension Light by DelightFULL.

This Incredible bathroom design harmonizes sleek lines with organic shapes, using new materials and methods to create a truly lush, enchanting and alluring space where one can forget all about their hard day. To create this instantly iconic luxurious look, golden details were mixed with white, golden and dark ones while also having a bedroom as its background, allowing for this incredible design to feel extra cozy! Natural lighting also bursts through this incredible room to shine a light on the magnificent Colosseum Mirror and the astounding Diamond Bathtub in white. To achieve such a look with this style, the appealing materials that scream natural were used, and if you have the same look, you must also follow in the same footsteps to complete an oasis that is both glamorous and incredibly functional by default.



Diamond Bathtub, Victorian With Hand Shower Tap; Botti 150 Suspension Light by DelightFULL, Draycott Pendant Lamp by Luxxu.



Diamond Bathtub, Victorian With Hand Shower Tap; Botti 150 Suspension Light by DelightFULL and Draycott Pendant Lamp by Luxxu.







Lotus Vessel Sink and Elegance Three Hole Mixer Tap.

This incredible bathroom design is a modern style oasis that boasts furnishings and decor that look to celebrate natural materials, neutral or earthy colors, and the elimination of unnecessary detailing. From the amazing marble walls to the incredible lighting that fills this bath space with a uniquely luxurious glow, this modern minimalistic bathroom

is one to feel inspired by. Combining items such as the Lotus Vessel Sink and the Elegance Three Hole Mixer Tap with the Shield Mirror was also an inspired choice that not only compensates by creating a relaxing aura around the space but also delivers in the comfort department.



Diamond Bathtub, Lagoon Vessel Sink; Crown Mirror by Luxxu and Turner Pendant Lamp by DelightFULL.





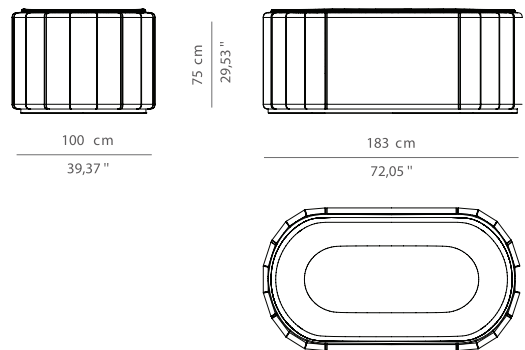


DARIAN BATHTUB

W 183 cm | 72,05" D 100 cm | 39,37" H 75 cm | 29,53"



Darian Bathtub draws inspiration from Darius, the great Persian king. It was conceived with precise knowledge of production techniques and materials, from metalwork to upholstery. Featuring a cluster of gold-plated brass asymmetrical bars enveloping a black leather structure, that results in a blend of artful and stout personality awarded to your bathroom design.





Darian Washbasin, Darian Bathtub, Shield Oval Mirror, Origin Floor Mounted Mixer Tap With Hand Shower, Call Rug By Rug Society and Pharo Wall Lamp by Luxxu.





Petra Bathtub, Origin Floor Mounted Mixer Tap With Hand Shower; Hoot Stool by Circu, The Rhino's Troupe by Circu.

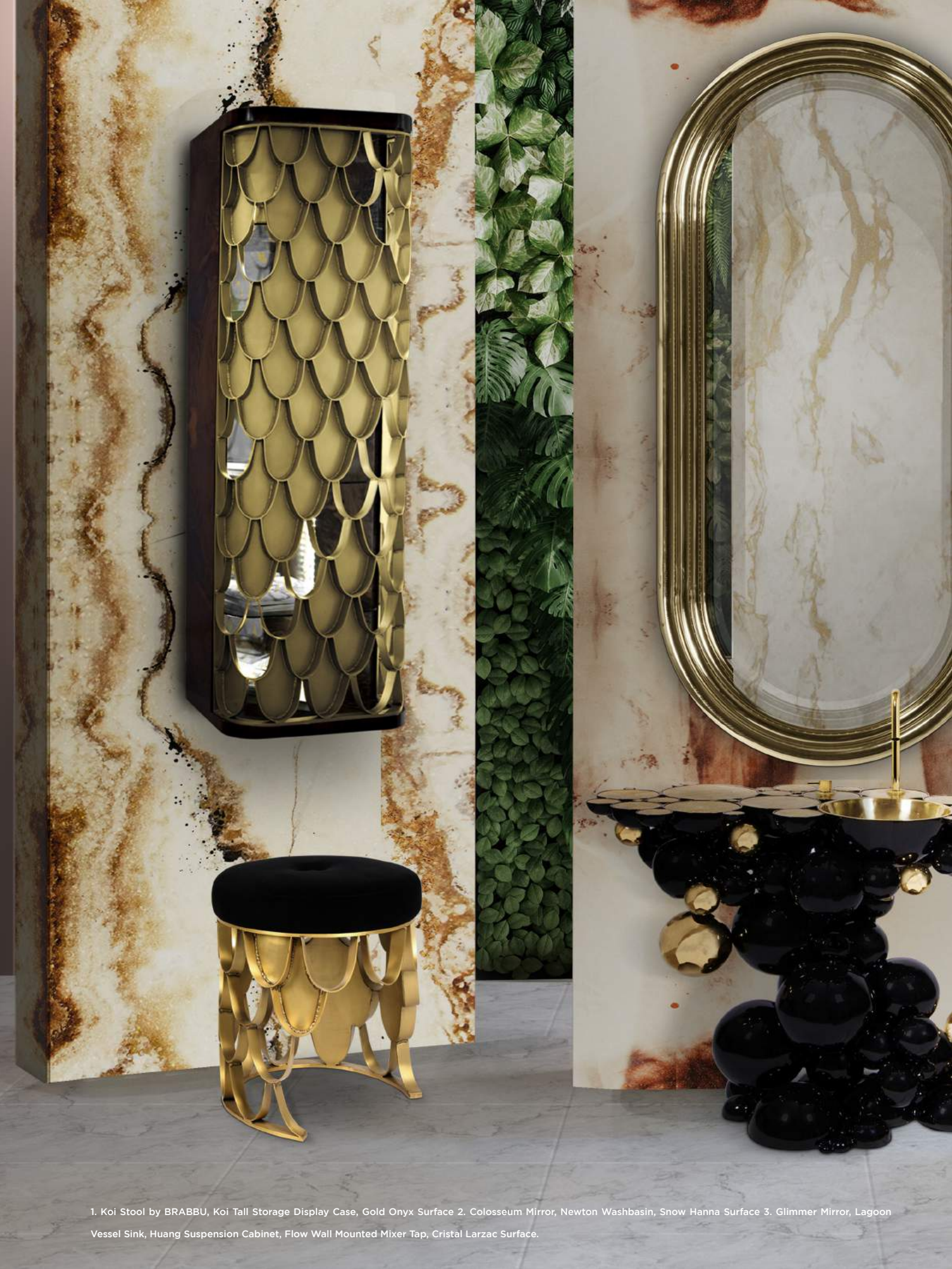


1. COSMO Suspension Light by DelightFull 2. PETRA Bathtub by Maison Valentina 3. THE RHINO'S TROUPE Rug by Circu 4. HOOT Stool 5. GLIMMER Rectangular Mirror by Maison Valentina



Petra Washbasin, Glimmer Rectangular Mirror; Hoot Stool by Circu, Cosmo Suspension Light by DelightFULL, The Rhino's Troupe by Circu.





1. Koi Stool by BRABBU, Koi Tall Storage Display Case, Gold Onyx Surface 2. Colosseum Mirror, Newton Washbasin, Snow Hanna Surface 3. Glimmer Mirror, Lagoon Vessel Sink, Huang Suspension Cabinet, Flow Wall Mounted Mixer Tap, Cristal Larzac Surface.



IF THERE'S ONE
ROOM THAT
DESERVES A
LITTLE EXTRA
LUXURY, IT'S THE
BATHROOM.

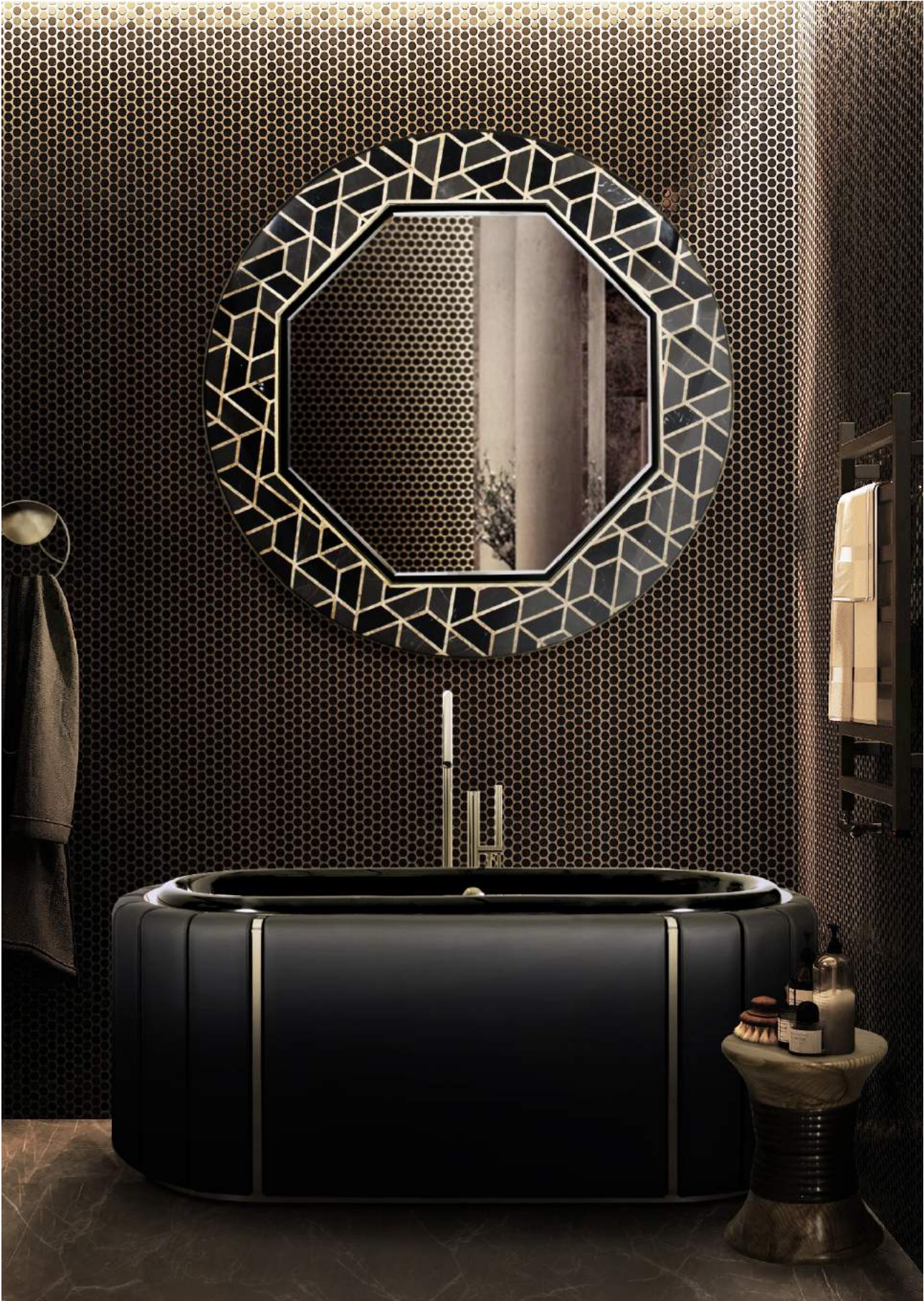


Tortoise Mirror, Metropolitan Washbasin, Koi Round Vessel sink, Flow Wall Mounted Mixer Tap; Waterfall Pendant Light by Luxxu.

Black is not always our go-to color choice for a bathroom - we usually tend to choose white or beige to keep it as light and fresh as possible. However, black bathrooms have a powerful showcase of class, elegance, sophistication, and luxury so make sure you consider this color for your next bathroom project or renewal. By having a black bathroom, you are capable of creating focal points by using contrasting elements, such as we can see in these two images. The image above has the round mirror Tortoise with a pattern resembling that of a tortoise with brown and gold tones and the Waterfall Pendant Light by Luxxu gives a white and gold contrast. On the right, we have the black synthetic leather Darian Freestanding, the Pulse Floor Mounted Mixer Tap in gold with the Draycott Pendant Light shining bright on the Athos Mirror.



Darian Freestanding, Pulse Floor Mounted Mixer Tap; Draycott Pendant by Luxxu, Athos Mirror by Luxxu.



Tortoise Mirror, Darian Bathtub, Koi Towel Rack; Padaung Stool by BRABBU.

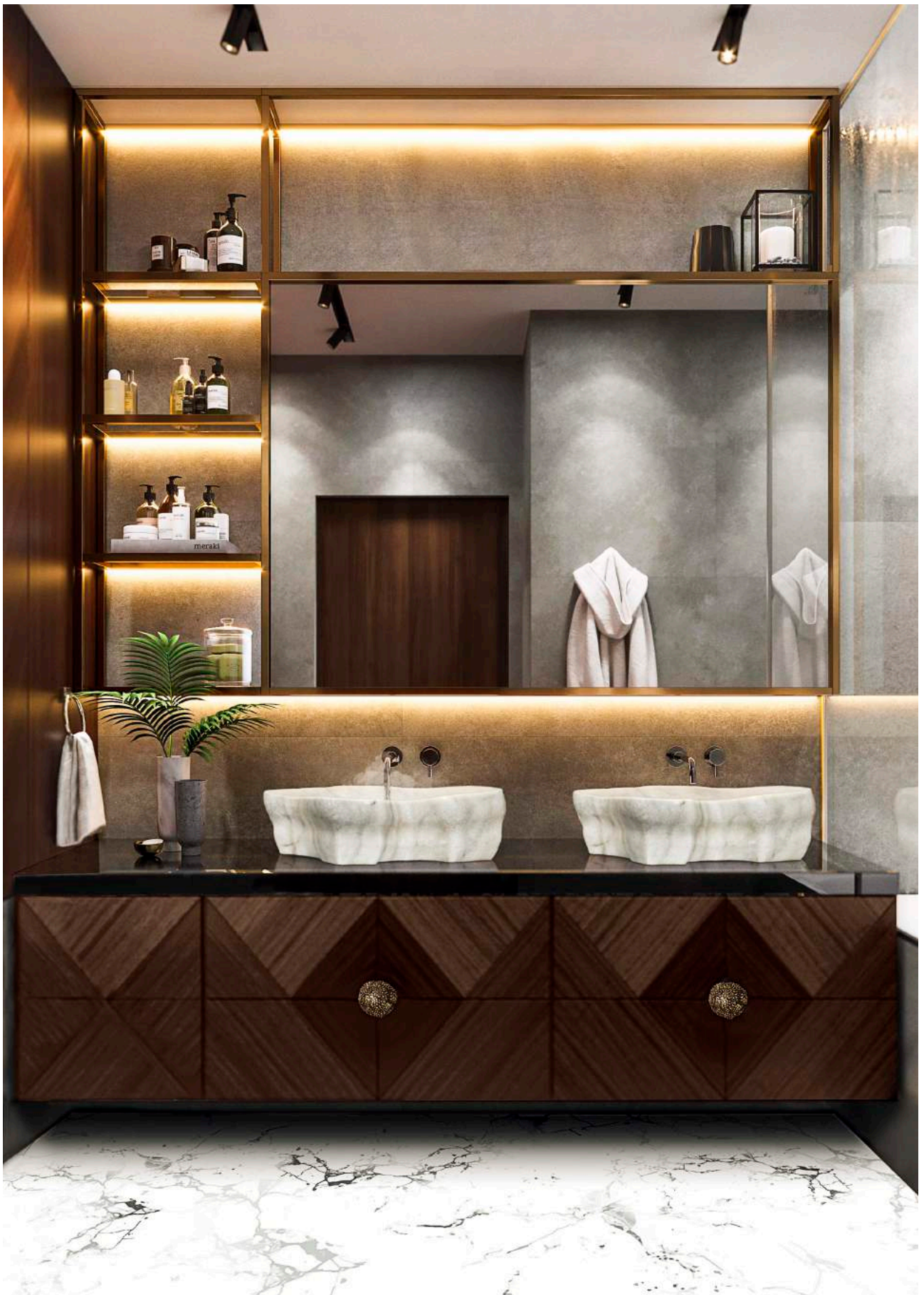


Colosseum Mirror, Lapiaz Marble Vessel Sink, Pulse Three Hole Mixer Tap, Symphony Washbasin.



Symphony Bathtub, Colosseum Mirror, Symphony Vessel Sink, Pulse Three Hole Mixer Tap, Bourgeois II Floor Mounted Mixer Tap, Waterfall Pendant Lamp by Luxxu.





Eden Vessel Sink; Caviar Drawer Handle by PullCast.



Eden Freestanding, Eden Towel Rack, Sapphire Mirror, Cristal Larzac Surface; Waterfall Wall Lamp by Luxxu.



Petra Bathtub, Victorian With Hand Shower Tap; Vellum Wall Lamp by BRABBU.





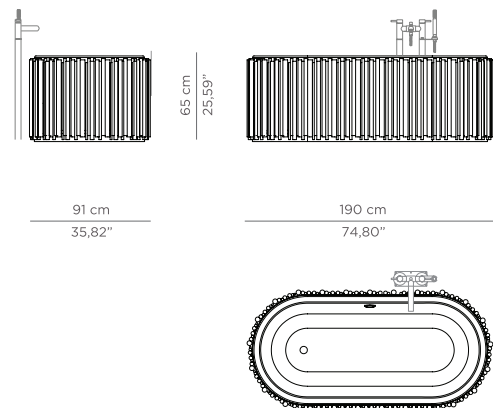
Symphony Oval Bathtub, Koi Towel Rack, Harper Floor Mounted Mixer Tap With Hand Shower; Brubeck XL Wall Lamp by DelightFULL.



SYMPHONY OVAL BATHTUB

W 185cm | 72.83" D 91 cm | 35.83" H 64.5cm | 25.39"

Maison Valentina created this wonderful bathtub to recreate the unique symphonies that generate strong relaxing feelings in all of us. The gold-plated brass tubes stand out in this oval-shaped design, giving it the elegant yet luxurious look you are searching for. The tub is made of white casted iron, giving it a clean look that is perfect for any luxury bathroom project.





Shield Oval Mirror and Stiletto Stool.

When we think about bathroom furniture, we do not usually go beyond the typical mirror and cabinet, however, our bathroom furniture can be so much more. Adding touches of comfort with upholstered items such as benches, stools, armchairs can make all the difference, make it more personal, and even more comforting and relaxing. Of course, we do not need it, but we deserve it! So, make sure you treat yourself to the best even if you are only deciding to have the minimum. These two ambiances are the perfect example of that: the Shield Oval Mirror showcases that a bathroom mirror can be more, the Stiletto Stool gives that extra touch of comfort and luxury with its velvet upholstery. On the right, we have the stunning Symphony Oval Bathtub being illuminated by the Burj Chandelier.



Symphony Oval Bathtub, Harper Floor Mounted Mixer Tap With Hand Shower; Burj Chandelier by Luxxu.



Eden Vessel Sink, Pulse Three Hole Mixer Tap; Waterfall II Big Wall, Empire Plafond by Luxxu.



1. VENICE Mirror by Boca do Lobo 2. MAJESTIC Chandelier by LUXXU 3. LAPIAZ Bathtub by Maison Valentina 4. PLAZA Center Table by Boca do Lobo



Crochet Washbasin, Glimmer Mirror, Bourgeois Two Hole Mixer Tap and Cristal Larzac Surface.



Symphony Washbasin, Lapiaz Vessel Sink; Ring Filigree Mirror by Boca do Lobo, Diamond Wall Mounted Mixer Tap, Ike Pendant Lamp by DelightFULL.

When thinking about bathroom colors, we do have a tendency to typically choose white or some other color within this palette. This can make or break our bathroom since this space is ours and ours alone to personalize. Bathrooms are our oasis, our personal space to relax and take a long candlelit bubble bath with some relaxing music, so when choosing our bathroom colors we need to consider that. These images showcase perfect examples of

how to create a neutral color palette bathroom with a touch of classic and luxury - the gold elements. The image on the left shows the Crochet Washbasin with a gold structure with embroidered work with a marble top and gold mixer tap. On top, the Ring Round Mirror with the Filigree Touch turns this bathroom into something amazing. The Symphony Washbasin and Eden Vessel Sink complete this whole luxurious and modern look.



Symphony Oval Bathtub, Harper Floor Mounted Mixer Tap With Hand Shower; Shard Suspension by Luxxu.





Lapiaz Vessel Sink, Lapiaz Suspension Cabinet, Pulse Three Hole Mixer Tap and Blaze Mirror.

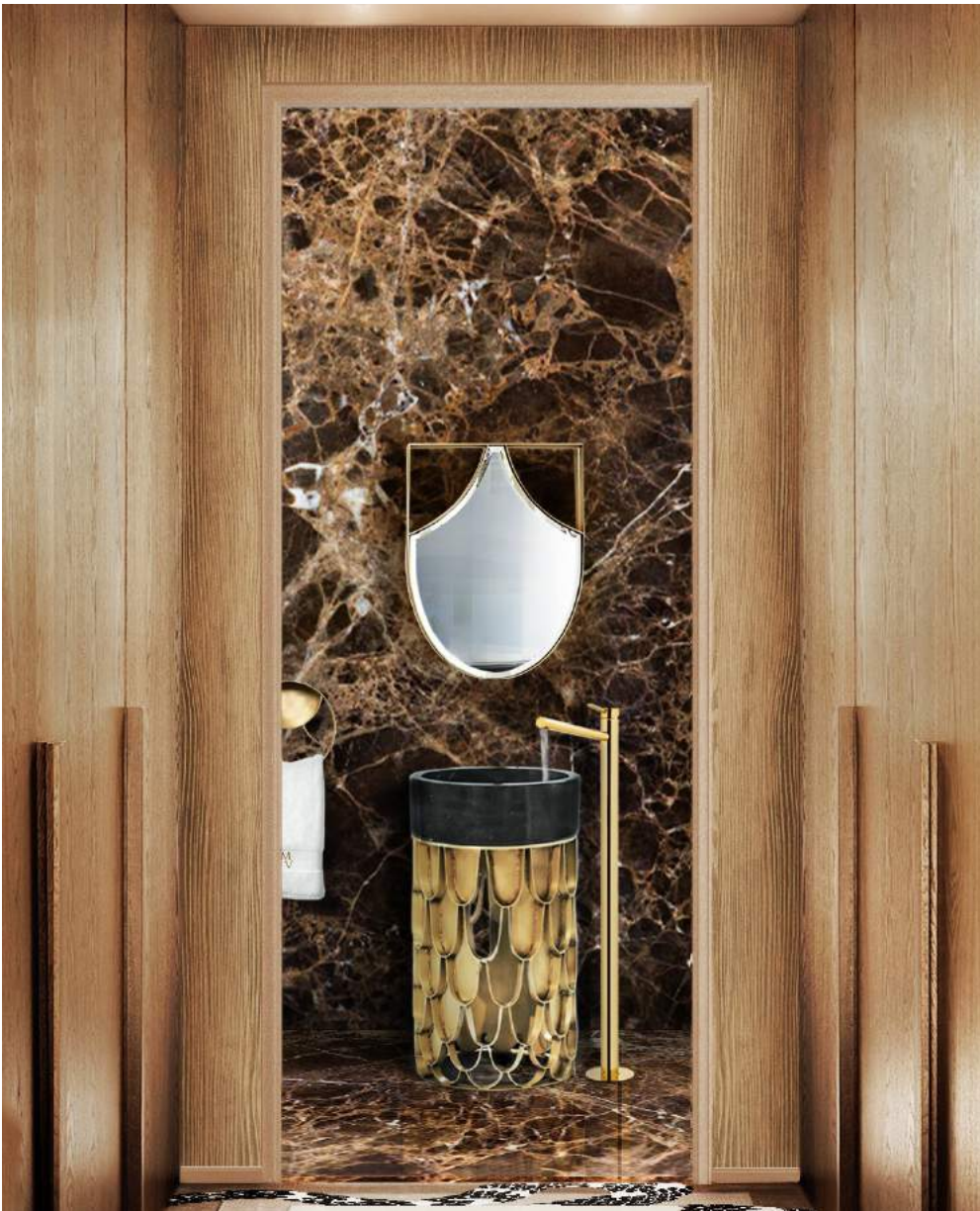


Lapiaz Vessel Sink, Lapiaz Suspension Cabinet, Diamond Three Hole Mixer Tap, Sapphire Mirror; Marcus Pendant by DelightFULL



Symphony Washbasin, Bourgeois Two Hole Mixer Tap, Eden Towel Rack; Brubeck XL Wall Lamp by DelightFULL, Florence Stool by Essential Home.





Koi Freestanding, Koi Mirror, Koi Towel Rack, Origin II Floor Mounted Mixer Tap; Imperial Snake Rug by Rug'Society

Bathrooms are our relaxation place, our refuge and sanctuary. They, aside from bedrooms, are the space where we can use customization to the max, being thus able to make it uniquely ours. And since our personalities can be colorful, beautiful, filled with colors, patterns, and cracks, we should be able to showcase that exactly in our bathroom design and decoration. Wall panels are always a good choice, as we can see in these two images. Having a patterned wall panel can make all the difference, so make sure you have one that matches your personality. These images have the amazing Koi Freestanding, a brass structure with a marble round vessel sink, an option to your modern bathroom design. Alongside the Koi Mirror, Koi Towel Rack, and Origin II Floor Mounted Mixer Tap we were able to create two beautiful, modern and luxurious bathroom designs.



Koi Freestanding, Koi Mirror, Koi Towel Rack, and Origin II Floor Mounted Mixer Tap.



Koi Mirror, Lapiaz Vessel Sink, Pulse Three Hole Mixer Tap, Koi Towel Rack, Stiletto Stool; Ike Pendant Lamp by DelightFULL.



Koi Mirror, Diamond Faux Marble Freestanding, Koi Towel Rack, Stiletto Stool; Ike Pendant Lamp by DelightFULL.



Diamond Faux Marble Bathtub, Stiletto Stool, Bourgeois II Floor Mounted Mixer Tap; Cyrus Wall Light XL by BRABBU and Ike Pendant Lamp by DelightFULL.

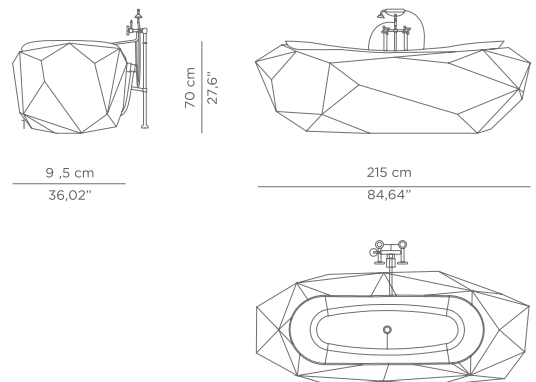


DIAMOND FAUX MARBLE **BATHTUB**

W 215 cm | 84,64" D 95 cm | 37,40" H 75 cm | 29,52"



Maison Valentina created this wonderful bathtub to recreate the unique symphonies that generate strong relaxing feelings in all of us. The gold-plated brass tubes stand out in this oval-shaped design, giving it the elegant yet luxurious look you are searching for. The tub is made of white casted iron, giving it a clean look that is perfect for any luxury bathroom project.



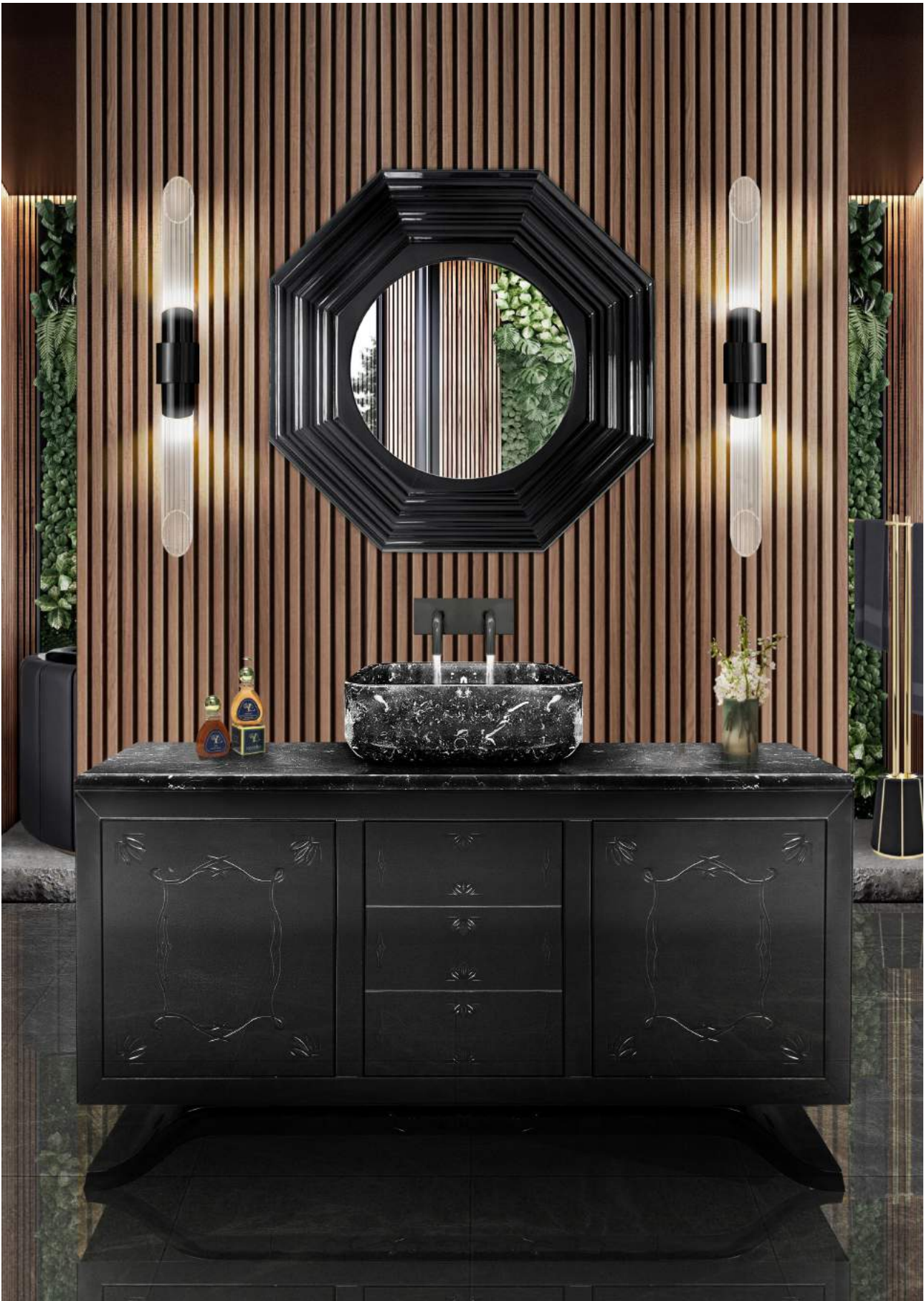


Shield Mirror, Lapiaz Marble Vessel Sink; Yoho Stool by BRABBU.

A bathroom should feel like a space where one can fully recharge after a hard workday, a place where the energy of its walls should feel both clean and peaceful. And the bathrooms here on display are perfect examples of this concept. The natural-looking bathroom above is a perfect addition to those homes that seek to feel like outdoors experiences can translate into successful home ideas. From the Lapiaz Marble Vessel Sink to the Shield Mirror in golden splendour, this design is both glamorous and enchanting, looking to use its wooden sink and stone wall as perfect natural opposing forces in modern design. This is how one gets lost in wondrous creative design. The elegant bathroom in our right, however, features the Newton Collection represented in full force, making a fierce statement in this incredible design, along with the luscious Blaze Mirror. One by one, each element is joined to produce an outstanding pattern and organic structure, creating a truly modern and unique bathroom design.



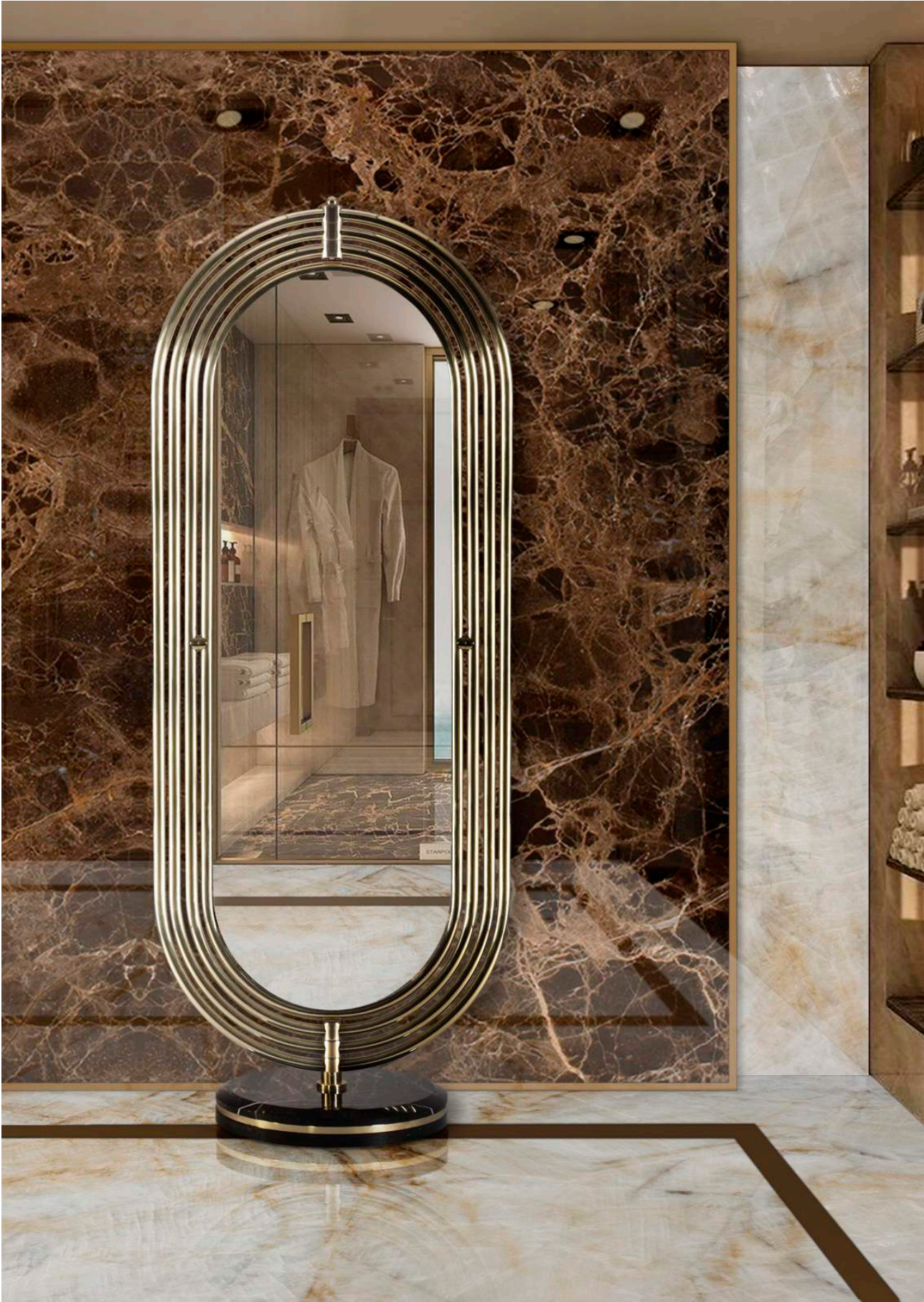
Newton Washbasin, Blaze Mirror, Newton Towel Rack, Pulse Three Hole Mixer Tap; Cyrus Wall Light by BRABBU



Metropolitan Washbasin, Koi Rectangular Vessel Sink, Darian Towel Rack; Persia Mirror by Caffè Latte and Tycho Wall by Luxxu.



Koi Towel Rack, Lotus Vessel Sink, Pulse Three Hole Mixer Tap, Pulse Floor Mounted Mixer Tap With Hand Shower; Ring Rectangular Mirror by Boca do Lobo and Waterfall II Big Wall Light by Luxxu.



Colosseum Floor Mirror.



Glimmer mirror, Petra Freestanding, Bronze Rust Surface, Petra Towel Holder.



Koi Mirror, Koi Single Washbasin, Koi Towel Rack, Koi Rectangular Vessel Sink, and Koi Column Cabinet.



1. Matheny Pendant Light by DelightFull 2. NANCY Wall Light by DelightFull 3. VESSEL Sink by Maison Valentina 4. SAPPHIRE Mirror by Maison Valentina 5. IRREGULAR Rug 6. HUANG nightstand by Brabbu



Koi Washbasin, Origin Floor Mounted Mixer Tap With Hand Shower, Colosseum Mirror, Petra Towel Rack, Symphony Vessel Sink, Diamond Wall Mounted Mixer Tap, Yoho Stool by BRABBU.



MAISON VALENTINA
LUXURY BATHING



Darian Bathtub, Darian Towel Rack, Lotus Vessel Sink and Origin Three Hole Mixer Tap.



Diamond Faux-Marble Bathtub, Diamond Faux-Marble Freestanding, Timeless Three Hole Mixer Tap, Bourgeois II Floor Mounted Mixer Tap; Galiano Wall Light by DelightFULL, Louis XVI Mirror by Boca Do Lobo



The Tortoise Suspension Cabinet, The Lapiaz Marble Vessel Sink, Diamond Wall Mounted Mixer Tap ;The Diamond Big Mirror by Boca do Lobo, Cyrus Wall Light by BRABBU



Koi Washbasin, Koi Rectangular Vessel Sink, Koi Mirror, Koi Towel Rack and Origin Three Hole Mixer Tap.

Bathroom design should be celebrated, and modern bathrooms in particular can bring a certain gravitas to one's luxury home. Modern Style bathrooms use natural materials, neutral colors and strip down unnecessary elements that add nothing. These spaces are made to relax, to be able to feel at peace. The modern bathroom color palette is more consistent and it usually stays within the monochromatic range of hues. The bathroom above, for example, proves to

be the perfect example for this case, using grounded tones that award it a unique sense of warmth and beauty that is only enhanced by the wonderful Koi Collection elements that are scattered through it. The usage of light can also greatly improve one's private oasis, as you can see, mixing a natural light source with the earthly more grounded tones in the design brings forth a comforting luxury look that is hard to achieve without the right sensibilities.



Lapiaz Suspension Cabinet, Lapiaz Vessel Sink, Diamond Wall Mounted Mixer Tap, Lapiaz Bathtub, Victorian With Hand Shower Tap; Stanley Floor Light by DelightFULL.





Lapiaz Bathtub, Ella Puff, Bourgeois I Floor Mounted Mixer Tap; Kesya Door Pull by PullCast, Cannonball Suspension Light by DelighFULL.



Lapiaz Bathtub, Ella Puff, Bourgeois I Floor Mounted Mixer Tap, Cristal Larzac Surface; Naicca Suspension Lamp by BRABBU.



Koi Mirror, Lapiaz Freestanding, Abism Jellyfish Surface and Diamond Wall Mounted Mixer Tap.

The bathroom can turn into a conceptual space in its own right, a place where one can try and recreate certain feelings and visuals to enhance the experience of a warm, relaxing and pleasant bath. Any chosen style, be it classic, modern, contemporary or sophisticated, should boast a certain sensorial thrill to truly become a perfect oasis of relaxation. The bathroom above, for example, boasts a sophisticated interior wall panel that conveys an underwater sensation due to its range of black tones, marble texture, and the use of jellyfish as a theme. By mixing up ideas such as this one with incredible lighting, good materials such as the ones used in the amazing Lapiaz Freestanding, and perfect placement of items, one sets the mood for incredible luxury, elegance and glamour with a touch of perfect beauty.



CAY Rectangular Mirror, NAJ Bench, NAICCA Chandelier



Lapiaz Vessel Sink, Newton Towel rack, Glimmer Mirror, and Diamond Wall Mounted Mixer Tap.



Diamond Faux Marble Bathtub, Bourgeois II Floor Mounted Mixer Tap, Sinuous Dressing Table; Naicca Chandelier by BRABBU and Florence Stool by Essential Home.



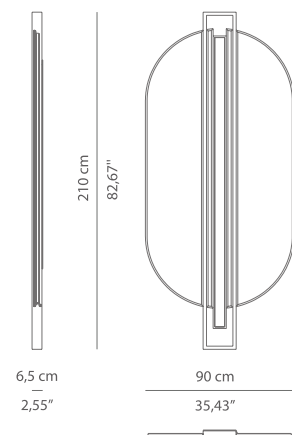
Shield Oval Mirror, Newton Bathtub.



SHIELD OVAL MIRROR

W 90 cm | 35,43" D 8 cm | 3,15" H 210 cm | 82,68"

The shield is an oval mirror made entirely from mirrored glass, polished brass, and a Nero Marquina marble bar. Inspired in the most ancient and valuable armor, the Shield of Achilles, Maison Valentina re-designed the Shield Mirror, the meaning of protection and security. Decorative yet practical, this is the most wonderful mirror to own in your modern master bathroom.





Diamond Bathtub, Lapiáz Side Table, Victorian with Hand Shower Tap; Naicca Chandelier by BRABBU, Iguazu Armchair by BRABBU and Torchiere Floor Lamp by DelightFULL.





Metropolitan Washbasin and Lapiaz Marble Vessel Sink.

These looks are pure magic, feeling both incredibly fresh, sophisticated, and majestic, with amazing details scattered throughout and incredible lighting to make it feel like a singular unique room where one can dive into a deep rest filled with relaxation. A modern bathroom design such as the ones depicted here is filled with unique characteristics and a lack of fluff, feeling almost natural without ever losing the unique, luxurious, and glamorous quality one searches for in them. Celebrating natural light is also very important to be able to create such a fluid sensation of relaxation in your bathroom interior design, and using items like the Petra Bathtub or the Metropolitan Suspension Cabinet will only increase the style, its imposing nature, and the glamour it transpires once you enter it.



Petra Bathtub, Victorian With Hand Shower Tap, Duorum Vessel Sink, Diamond Wall Mounted Mixer Tap; Ring Rectangular Mirror by Boca do Lobo.



Petra Towel Rack and Petra Bathtub.



Petra Towel Rack, Petra Bathtub, Victorian With Hand Shower Tap; Diana Wall Lamp by DelightFULL.



Eden Stone Vessel Sink, Pulse Three Hole Mixer Tap; Ring Mirror by Boca do Lobo.





Glimmer Mirror, Koi Rectangular Vessel Sink, Flow Wall Mounted Mixer Tap and Metropolitan Washbasin.



Diamond Towel Rack.



Eden Stone Freestanding, Koi Towel Rack, Cross Grey Surface, Origin II Floor Mounted Mixer Tap; Kayan Mirror by BRABBU.



Diamond Freestanding, Diamond Towel Rack and Sapphire Mirror.



Newton Freestanding, Pulse Three Hole Mixer Tap; Ring Mirror By Boca do Lobo and Brubeck Wall by DelightFULL.



1.SYMPHONY Bathtub by Maison Valentina 2. DIAMOND Towel Rack by Maison Valentina 3. GALLIANO II Wall Lamp by DelightFul 4.EDEN Freestanding by Maison Valentina



Diamond Bathtub, Victorian With Hand Shower Tap, Diamond Freestanding; Apollo Mirror by Boca do Lobo.





Newton Freestanding, Ring Mirror By Boca do Lobo, Diamond Towel Rack, Gold Onyx Surface; Naicca Pendant Suspension Lamp by BRABBU.



Stiletto Stool, Diamond Bathtub and Sinuous Dressing Table.



Eden Freestanding, Diamond Towel Rack, Shield Mirror, Gold Onyx Surface and Origin II Floor Mounted Mixer Tap.



Stiletto Bench, Glimmer Mirror, Cristal Larzac Surface; Bryce Side Table by BRABBU.



Koi Single Washbasin, Glimmer Mirror and Diamond Towel Holder.





Koi Freestanding, Stiletto Bench, Koi Mirror, Black Paramount Surface and Origin II Floor Mounted Mixer Tap.

Dark tones can truly make or break a bathroom design, bringing with it intense feelings of both coziness and extreme glamour and wonder. To fill one's bathroom with unique marble and wall panels that create serene ambiances is to upgrade a home into absolute magnificence and majestic wonder. Mixing golden details with the dark ones while also providing a fantastic light source will undoubtedly make a difference in creating a design that feels both comfortable and relaxing. To award a dark bathroom that extra it factor, going the minimal modern design route might be the perfect way to do it. Choosing perfect elements such as the Koi Washbasin and the Koi Freestanding and then perfectly placing them in your private sanctuary in a way that doesn't feel crowded when mixing with the other elements might reduce the visual noise that otherwise could affect your bathroom design in a negative manner.



Koi Single Washbasin, Glimmer Mirror, Abism Jellyfish Surface and Diamond Towel Holder.



Diamond Freestanding, Diamond Wall Mixer Tap and Koi Mirror.



The Darian Bathtub, The Darian Washbasin; The Turner Wall Light by DelightFULL, The Neil Suspension Light by DelightFULL.



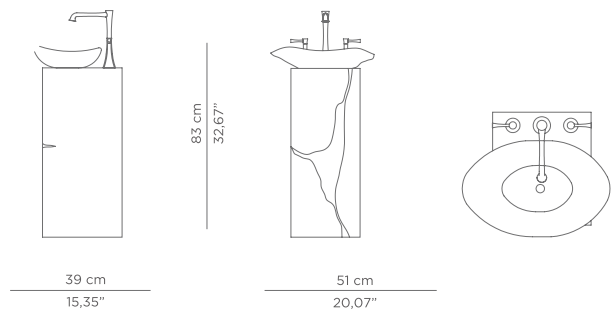
Lapiaz Freestanding, Diamond Wall Mixer Tap and Sapphire Mirror.



LAPIAZ FREESTANDING

W 59 cm | 23,23" D 39,5 cm | 15,55" H 94,5 cm | 37,2"

Lapiaz is a square freestanding inspired by natural stone cracks. That's why it features an incredible fissure handcrafted in polished brass, producing an organic finish. The wooden structure is coated in stainless steel, giving it a reflective luxurious effect. Apart from that, the casted brass sink and polished brass tears shows to the world a rich and golden interior.





Symphony Bathtub, The Symphony Washbasin, Eden Towel Rack, Sapphire Mirror, Victorian Two Hole Mixer Tap, Redleh Rug by Rug Society, and Brubeck Floor Lamp by DelightFULL





White Darian Bathtub, Pulse Floor Mounted Mixer Tap, Shield Oval Mirror, and White Darian Freestanding.



Black Darian Bathtub, Pulse Floor Mounted Mixer Tap, Colosseum Mirror and Black Darian Freestanding.



Crochet Washbasin, Timeless Three Hole Mixer Tap; Cyrus Wall Light by BRABBU, Orbis Mirror by LUX XU.

Using brass and wood to complement one's bathroom design is not only an inspired choice but also an unexpected one, allowing for a discreet look to take over the room's essence. These bathrooms' color palette ranges from bright hues to earthy colors in the 1960s; white and pale walls with bold and colorful pops also create an expensive and luxurious feel, perfectly fitting them in the Mid-Century style category. With items belonging to the astonishing Koi Collection, and others perfectly mixing together gold and classic modernity, both bathrooms depicted in the pictures showcase a great sense of how to build a luxurious bathroom design using atmosphere and perfectly placed items. The Crochet Washbasin also offers the bathroom above a unique and sensational feel that, combined with the marble strokes in the room, creates a feeling of sanctuary and blissful wellness.



Glimmer Mirror, Huang Suspension Cabinet, Koi Rectangular Vessel Sink, and Koi Tall Display Case.



Lapiaz Washbasin, Silk Vessel Sink, Diamond Wall Mixer Tap, Glimmer Mirror and Diamond Towel Holder.



Crochet Washbasin, Victorian Two Hole Mixer Tap, Glimmer Mirror; Draycott II Wall Lamp by Luxxu.



Symphony Washbasin, Victorian Two Hole Mixer Tap, Colosseum Mirror and Koi Towel Ring.



1. COLOSSEUM Floor Mirror 2. SYMPHONY Washbasin 3. ATOMIC Sconce by DelightFULL 4. ELLA Puff by MaisoN Valentina 5. DÉCO Rug by Rug'Society



Newton Bathtub, Newton Towel Holder, Metropolitan Washbasin, Ring Rectangular Mirror, Koi Rectangular Vessel Sink; Sinatra Floor Light by DelightFULL.





Timeless Three Hole Mixer Tap; Kumi Mirror by BRABBU and Vellum Wall Lamp by BRABBU.



Newton Bathtub, Glimmer Mirror, Origin Floor Mixer Tap; Draycott II Wall Lamp by Luxxu.



Tortoise Washbasin, Koi Towel Ring; Kumi Mirror by BRABBU



Lapiasz Bathtub, Diamond Towel Holder, Victorian With Hand Shower Tap; Majestic Suspension Lamp by Luxxu and Armour Stool by Luxxu.



Koi Bathtub, Pulse Floor Mounted Mixer Tap Wind Hand Shower, Eden Freestanding, Bronze-Rust Surface; Meta by Rug'Society





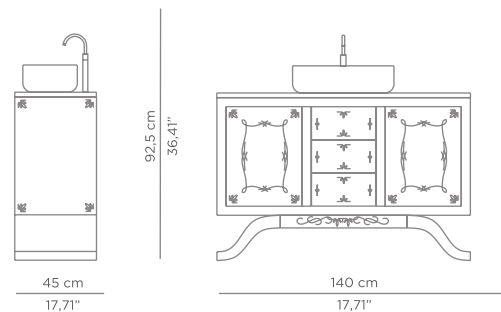
Metropolitan Washbasin, Koi Rectangular Vessel Sink, Gold Onyx Surface: Ike Suspension Light by DelightFULL and Ring Mirror by Boca do Lobo.



METROPOLITAN WASHBASIN

W 140 cm | 55,12" D 45,5 cm | 17,91" H 95 cm | 37,4"

Inspired in The Metropolitan Museum of Art, this washbasin resembles a central mausoleum structure, blending the contemporary chic urban attitude with the classic sober lines. The wooden structure and feet are black lacquered with a high gloss black varnish, featuring a carefully handcrafted carving detail on the glass doors. It has a countertop and rectangular sink made of Nero Marquina marble, making this piece extremely elegant and luxurious.





Blaze Mirror, Colosseum Tall Display Case and Origin Three Hole Mixer Tap.

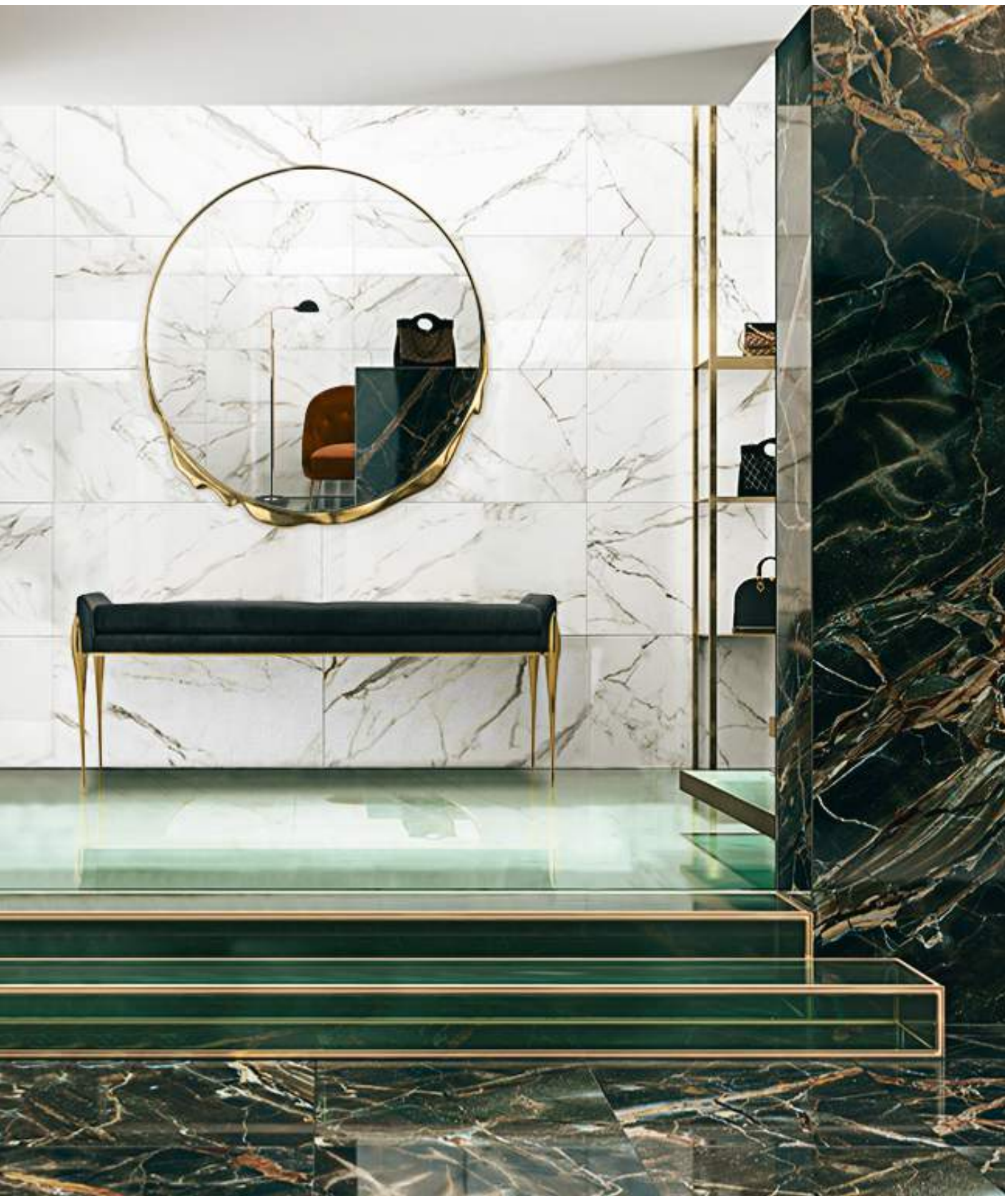
Grey, golden, and dark elements, along with brightness, can truly make a bathroom interior design shine. By mixing them in what can be perceived as a marvellous, astonishing and majestic modern-classic look, one creates a lush, enchanting and luxurious feeling of perfection that will increase one's peace and comfort when in these particular bath spaces. The straight modern lines of the Tortoise Suspension Cabinet and the passionate golden roundness of the Blaze Mirror engulf the depicted rooms on top and on the right in a fiery glamour that creates a perfect oasis to escape into as time continues to outpace itself outside. In these designs, functionality is important, with slight, and unique ornamentation and the opposition of different and contrasting materials that can be rather hypnotic and tinged with a smidge of retro in its vibe, embracing this astounding timeless quality that otherwise would not exist.



Tortoise Suspension Cabinet, Lotus Vessel Sink, Diamond Wall Mounted Mixer Tap and Eden Towel Holder; Cay Square Mirror by BRABBU.



Crochet Display Case.



Stiletto Bench; Magma Mirror by Boca do Lobo.



Newton Bathtub, Symphony Freestanding; Ring Rectangular Mirror by Boca do Lobo.





NEW CATALOGUE

ONE INSPIRATION, MULTIPLE OPTIONS.
YOU CHOOSE

DOWNLOAD NOW →



MAISON VALENTINA®
LUXURY BATHROOMS

THE LUXURY EXPERIENCE
OF A BESPOKE BATHROOM

MAISONVALENTINA.NET | INFO@MAISONVALENTINA.NET





LUXURY BATHROOMS®

WWW.MAISONVALENTINA.NET | INFO@MAISONVALENTINA.NET